



**hush**phone

**mikomax**  
smart office.

# OFFICE PHONE CALLS HAVE NEVER BEEN SO COMFORTABLE



**Hush**  
acoustic  
office  
solutions

[hushoffice.com](http://hushoffice.com)

# WE PROVIDE SEPARATE MOBILE SPACES, REPLACING STRESS WITH HARMONY & PEACE.

Modern workplaces are adapting to the needs of the people who perform their jobs in them. More and more employees express the desire to find acoustic solutions which would let them work in peace and be more effective.

Providing special zones for phone calls and videoconferences has become one of the crucial elements of an office that is friendly and open to the needs of employees. The best solutions should be flexible and inexpensive to implement, and this is exactly what we provide.

## HUSH PHONE IS A PERFECT PLACE FOR:



PRIVATE  
VIDEOCONFERENCES



TRADE  
NEGOTIATIONS



CONFIDENTIAL TELEPHONE  
CONVERSATIONS

## WHY IS THE HUSH PHONE A UNIQUE OFFICE SOLUTION?



### COMPACT

Hush Phone occupies only 1 square meter – the small dimensions and weight allow it to be set or adjusted to the current needs of any organisation.



### FUNCTIONAL

Equipped with lighting, a ventilation system, a folding laptop table, and 230V & USB sockets.



### COMFORTABLE TO USE

Thanks to the armrest, a movement sensor which activates the lighting and ventilation, and a rear wall made of glass, the Hush Phone provides an excellent user experience.






### AGILE

Hush Phone is equipped with castors which allows you to move it around the office whenever you need.

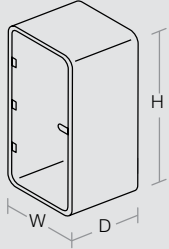
# TECHNICAL FEATURES

- 1 Led ceiling light run by motion sensor
- 2 Efficient ventilation run by motion sensor
- 3 Power module (single power, double USB)
- 4 Tempered acoustic glass door with handle
- 5 Glazed acoustic glass rear wall
- 6 Ergonomic shelf / storage
- 7 Fold-away oak veneer laptop table
- 8 Acoustic lined fabric panels
- 9 Integral carpeted floor
- 10 Optional floor mounted stool
- 11 Leveling feet
- 12 Anti-collision door manifestation
- 13 Castors



- +  compact height of 2230 mm
-  excellent sound absorption
-  strong frame construction

Dimensions (mm)



W: 1000 D: 900 H: 2230



# COLOUR FINISHES

## CARCASS FINISHES

ABB



AGC



## SHELF

JGC

JBM

## INTERIOR FINISHES

### UPHOLSTERY WOOL



### UPHOLSTERY PETRUS



### UPHOLSTERY MURA



Find out more by visiting our website.

[hushoffice.com](https://www.hushoffice.com)

**mikomax**  
smart office.



Experience Hush in your office before you commit.

AR app

**mSO.**  
PLAN

